

# ***VALTICINO***

**2023**

LANDSCAPE



***VALTICINO.COM***

In **VALTICINO** we are driven by a simple purpose: To help you use water efficiently in the landscape where lot of water waste occurs. Using market-leading technology products, and innovative solutions help maximize landscape beauty and will help you fulfill your irrigation water management and savings needs.



VALTICINO PAVIA

## CONTENTS

### Controllers 1

Smart Controllers Outdoor  
 Smart Controllers Indoor AC  
 Smart Controllers Indoor DC  
 Rain Click Moisture Sensors  
 Soil Humidity Sensors  
 Blue Tooth and WIFI Battery operated tap timer  
 Digital Smart Tap Timers

### Valves 12

ZV 50 AC/DC  
 ZV 75 ZV 100 AC/DC  
 ZV 100D AC  
 ZV 150/200/300 AC/DC

### Sprays and Nozzles 16

ZM Sprays  
 ZM Panda Sprays ZM PRS  
 Sprays AAN Nozzles Series

### Rotors 21

ZP35 1/2"  
 ZP50 3/4"  
 ZP75 1"  
 ZM 1/2"  
 ZM 1/2" 3/4"  
 ZM 3/4"

### Drip Lines 27

VA100 PC Drip line VA200 PC  
 Drip Line VA Fittings

### QCV, Swing Joints & Valve Box 33

QCV  
 Swing Joints  
 ZV Valve Box Series



# ZR-O-AC

# ZR-O-AC-WiFi

The Smart Irrigation Controller

**FEATURES**

- Wireless type: WIFI(optional)
- Input: AC 230V or AC 110V, 3SVA, 50-60Hz
- Output: AC 24V, 0.8A
- 6 watering programs
- 6 start times for each program
- Watering duration 1 minute to 12 hours 59 minutes
- Water budget from 10% to 200%
- Pump(M) and Sensor(R) connection
- Rain sensor or moisture sensor connection available
- 1 x 9V alkaline batteries required (not included)

**MANUAL OPERATION**

- Manual test runs each zone with zone run times from 10 sec. - 10 min.
- Manual zone operation of a single zone (1 min. to 9 hrs. 55 min.)
- Push button manual start of a program from control panel

**ADDITIONAL FEATURES**

- Zone-to-zone delay
- Master valve timing sequence with zone valve programmable
- Master valve/pump start operation assignable On/Off by zone
- Sensor operation assignable On/Off by zone
- Includes cord



**ZR-O-AC Smart Irrigation Controller AC - Outdoor**  
4, 6, 9, 11 Stations



**ZR-O-AC-WiFi Smart Irrigation Controller AC - Outdoor**  
4,8, 16 Stations

**Accessories - Optional**

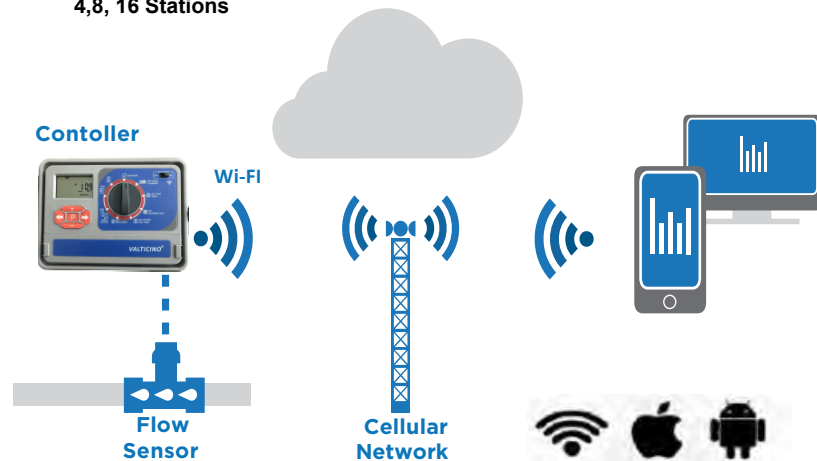


**ZR-RS-P Mini**  
Click Rain Sensor



**ZR-MS Soil Moisture**  
Humidity Sensor

**WARRANTY**  
2 Years





# ZR-I-AC

# ZR-I-DC

The Smart Irrigation Controller



**BASIC FEATURES**

- 4,6,8 Stations
- Two watering programs programs: A & B
- 4 start times per program
- Indoor Rated
- Zone run times settable from 1 min. to 240 mins., 1-32 days or any day or days of the week, or odd/even days
- Pump(M) and Sensor(R) connection
- Rain sensor or moisture sensor connection available
- Large backlit LCD display

**AC Model**

Input: AC 230V 50Hz, 150 mA  
 Output: AC 24V, 0.8A

**DC Model**

Input: DC 3V  
 Output: DC 15V  
 2 x AA alkaline batteries required (not included)

**ZR-I-AC Smart Irrigation Controller**  
 AC - Indoor  
 4, 6, 8 Stations

**ZR-I-DC Smart Irrigation Controller**  
 DC - Indoor  
 4, 6, 8 Stations

**Accessories - Optional**



**ZR-RS-P Mini Click**  
 Rain Sensor



**ZR-MS Soil Moisture**  
 Humidity Sensor

**WARRANTY**

**2 Years**



# ZR-2-WIRE

2-Wire Decoder System

**FEATURES**

- Wireless type: WIFI(standard), GPRS(optional)
- Input: AC 230V or AC 110V, 50-60Hz
- Output: AC 24V, 2.0A
- Touch screen 7,10 inch HD
- 256 Decoders with 64 Max valve groups
- 16 watering programs (Concurrent and stacked)
- 4 start times for each program
- Five Pumps, Unlimited Sensors
- Watering duration and scheduling - all options
- WIFI / Cellular Options**



**ADDITIONAL FEATURES**

Smart control: When connected to sensors, the irrigation schedule is adjusted according to sensor data

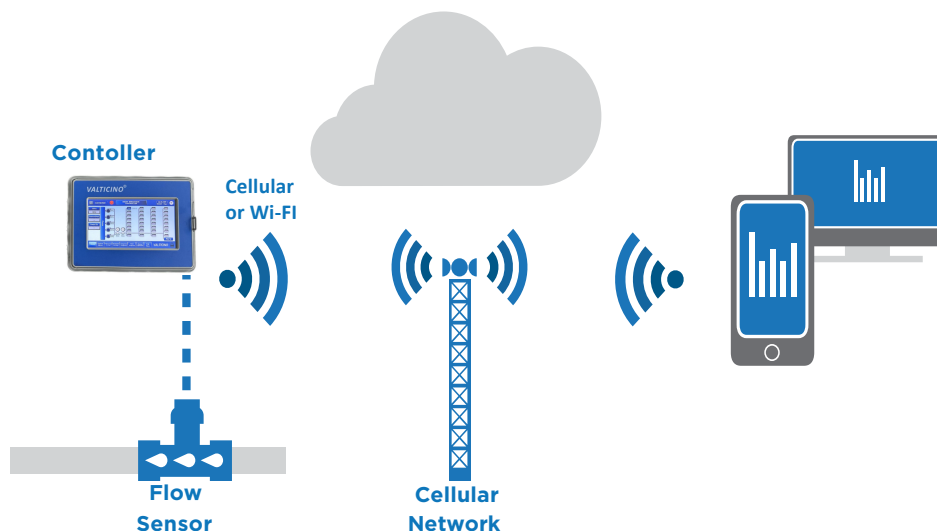
**DECODER FEATURES**

- 1, 2, and 4 valve decoders available
- Decoders operate 24AC and DC latching valves
- Pump and sensor decoders available
- Surge arrestors available for protection
- Input voltage 24 – 28VAC from 2-Wire path
- Shock resistant
- Freeze/heat resistant (-20° to 60°C)
- 14 gauge PVC-coated connecting wires
- Sealed electrical components for protection from water and dirt
- Operates valves to a maximum of 30m from decoder
- Diagnoses and reports failed solenoids to the controller

**ZR-2-WIRE**  
256 Stations Decoder Controller  
Wi-Fi / GPRS AC - Outdoor



**WARRANTY 2 Years**



# ZR-PRO

The Smart Irrigation Controller

### BASIC FEATURES

- Wireless type: WIFI(optional), GPRS(optional)
- 6 programs: A, B, C, D, E F . All programs can operate concurrently
- 8 start times per program
- Indoor/Outdoor Rated
- English/Multi-language
- 6 Zone run times settable from 1 min. to 9 hrs. 55 min. 6
- Rain/Freeze sensing on/off button with Tri-Color LED indicator
- Rain delay of 1 – 7 days
- Rain/Freeze Sensor rain delay programmable from 0 – 99 hours
- Seasonal % adjust by program, by month
- Omit time of day window, day(s) of week, and up to 7 calendar dates
- Programmable zone-to-zone delay 1 min. – 3 hrs.
- Watering days: custom days of the week, odd/even, or interval days
- Run/Soak cycles by program
- Large Screen
- 6 Non-volatile memory – with no battery required

### AC Model

Input: AC 230V 50Hz, 150 mA  
Output: AC 24V, 1.6A



**ZR-O-PRO 2400**  
4-Zone base model:  
Expandable to 24 zones  
**ZR-O-PRO 3600**  
Fixed 36 Zones



ZR M4

4-Zone Module



ZR M12

12-Zone Module



**ZR-I-PRO 804**  
**ZR-I-PRO 806**  
**ZR-I-PRO 808**

### WARRANTY

2 Years

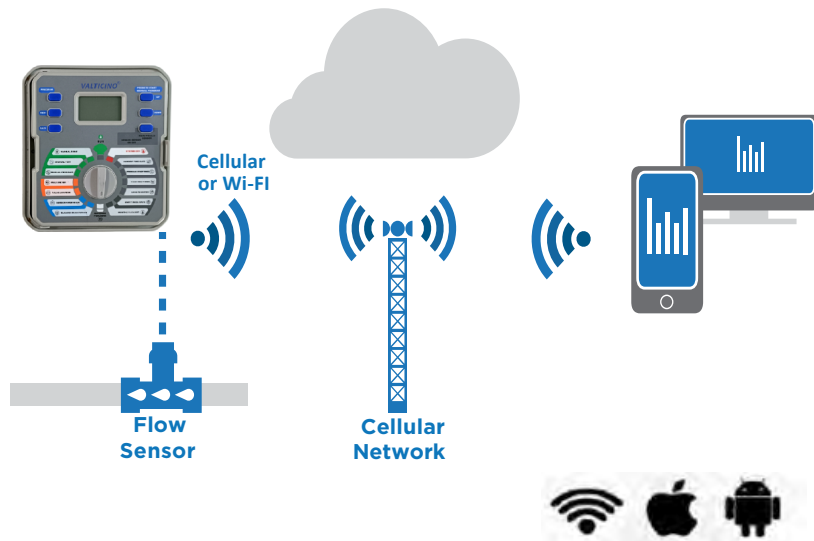
### Accessories - Optional



ZR-MS Soil Moisture Humidity Sensor



ZR-RS-P Mini Click Rain Sensor



# ZR-BO

# ZR-BO-BT

**FEATURES**

- IP68 Rated
- Input: 3Volt DC Output: 12V Latch
- 2 watering programs
- 4 start times for each program
- Watering duration 1-240 minutes
- Water Program Week Days / Interval
- Rain Delay 24 48 72 Days
- Rain sensor or moisture sensor connection available
- 2AA batteries required (not included)

**IP68**



**MODELS:**

- ZR-BO Standard Controller
- ZR-BO-BT Blue Tooth Controller
- ZR-BO-100D Standard Controller with 1" DC Valve
- ZR-BO-BT-100D Blue Tooth Controller with 1" DC Valve

- ZR-BO
- ZR-BO-BT Blue Tooth Battery Operated Controller

**Accessories - Optional**



ZR-RS-P Mini Click Rain Sensor



ZR-MS Soil Moisture Humidity Sensor

**WARRANTY**

2 Years





# ZR-RS Mini Click Rain Sensor

**FEATURES**

Monitor rainfall level and skip watering when rainfall is over the set amount For outdoor use

Adjustable rainfall amount: 1/8", 1/4", 1/2", 3/4", or 1" (3, 6, 12, 19 or 25mm)

Cable length: 5m or 7m

No battery required

Easy mounting to any support or structure with bracket



**ZR-RS-P**  
Mini Click Rain Sensor  
for controllers



**ZR-RS**  
Mini Click Rain Sensor  
for Tap Timers

# ZR-MS Soil Moisture Humidity Sensor

**FEATURES**

Monitor soil moisture level and skip watering when soil is too wet

S: approx. 25% moisture rate

M: approx. 45% moisture rate

L: approx. 65% moisture rate

Cable length: 5m or customized

2 x AA alkaline batteries required  
(not included)



**ZR-MS**  
Soil Moisture Humidity  
Sensor

# ZR-T-BT Wireless Bluetooth Tap Timer



ZR-T-BT  
Wireless Blue Tooth Tap Timer

## FEATURES

- Set up watering schedule via Bluetooth with the APP
- Spray mode: Duration/Cycle/Start1/Start2/RainDelay/Manual
- Mist mode: Begin1/End1/Begin2/End2/Duration/Interval/Cycle/Manual
- Manual button for immediate instant watering
- For taps with 26.5mm(G3/4") and 33.3mm(G 1") thread
- 2 x AA alkaline batteries required (not included)
- APP: iWaterTimer for iOS, WaterTimer for Android
- Bluetooth 4.0+, iOS 8.0+, Android 4.4+

## WARRANTY

2 Years

# ZR-T-WIFI Wireless WIFI Tap Timer



ZR-T-WIFI  
Wireless WIFI Tap Timer

## FEATURES

- Set up watering schedule anywhere with the smartphone APP
- Connect to the internet via Router(YL-21117)
- Spray mode: Duration/Cycle/Start1/Start2/RainDelay/Manual
- Mist mode: Begin1/End1/Begin2/End2/Duration/Interval/ Cycle/Manual
- Manual button for immediate instant watering
- For taps with 26.5mm(G3/4") and 33.3mm(G 1") thread
- 2 x AA alkaline batteries required (not included)
- APP: HiGarden for iOS and Android
- iOS 8.0+, Android 4.4+

## WARRANTY

2 Years

# ZR-TM

# ZR-TN

**FEATURES**

- Programmable manual watering for up to 120 minutes
- Run Time can be set at 1, 3, 5, 10, 15, 20, 30, 60, 90, 120 mins
- Frequency can be set 1, 2, 3, 4, 6, 8, 12, 24, 48, 72 H and Week
- Time Delay feature for easy setting of desired start watering time
- For taps with 26.5 mm(G 3/4") thread
- 2 x AA alkaline batteries required (not included)



ZT-TM

**FEATURES**

- Programmable manual watering for up to 120 minutes
- Run Time can be set at 1, 3, 5, 10, 15, 20, 30, 60, 90, 120 mins
- Frequency can be set 1, 2, 3, 4, 6, 8, 12, 24, 48, 72 H and Week
- For taps with 26.5 mm(G 3/4") thread
- 2 x AA alkaline batteries required (not included)



ZT-TN

**WARRANTY**

2 Years

Accessories - Optional



ZR-RS Mini Click Rain Sensor



ZR-MS Soil Moisture Humidity Sensor



# ZR-TB

# ZR-TD

**FEATURES**

- Frequency can be set at 1, 2, 3, 4, 6, 8, 12, 24, 48, 72 H, and Week
- Run Time can be set at 1, 3, 5, 10, 15, 20, 30, 60, 90, 120 mins
- Time Delay feature for easy setting of desired start watering time
- Rain sensor or moisture sensor connection available to skip watering during rainy days or when soil is too wet
- For taps with 26.5mm(G 3/4") and 33.3mm(G 1") thread
- 2 x AA alkaline batteries required (not included)



ZT-TB

**FEATURES**

- Programmable manual watering for up to 240 minutes
- Watering cycle can be set for when to start watering and How Long can be set from 5 secs to 360 mins
- How Often can be set from 10 secs to 7 days
- Delay feature at 24, 48, 72 hours
- Rain sensor or moisture sensor connection available to skip watering during rainy days or when soil is too wet
- For taps with 26.5mm(G 3/4") and 33.3mm(G 1") thread
- 2 x AA alkaline batteries required (not included)



ZT-TD

**WARRANTY**

2 Years

**Accessories - Optional**



ZR-RS Mini Click Rain Sensor



ZR-MS Soil Moisture Humidity Sensor

# ZR-T-DD ZR-T-DD2



ZR-T-DD

## FEATURES

- High quality round blue backlit LCD
- Programmable manual watering for up to 240 minutes
- Watering cycle can be set for when to start watering and How Long can be set for 1-240 mins
- How Often can be set at every 4, 6, 12 H, and 1-15 days
- Eco feature for splitting watering cycle into mini cycles (Every 1-240 min, Delay 1-240 min)
- Delay feature at 24, 48, 72 hours
- Rain sensor or moisture sensor connection available to skip watering during rainy days or when soil is too wet
- For taps with 26.5mm(G 3/4") and 33.3mm(G 1") thread
- 2 x AA alkaline batteries required (not included)



ZR-T-DD2

## FEATURES

- High quality round blue backlit LCD
- Programmable manual watering for up to 240 minutes
- Watering cycle can be set for when to start watering and How Long can be set for 1-240 mins
- How Often can be set at every 4, 6, 12 H, and 1-15 days
- Eco feature for splitting watering cycle into mini cycles (Every 1-240 min, Delay 1-240 min)
- Delay feature at 24, 48, 72 hours (when dial at RUN, press +)
- Rain sensor or moisture sensor connection available to skip watering during rainy days or when soil is too wet
- For taps with 26.5mm(G 3/4") and 33.3mm(G 1") thread
- 2 x AA alkaline batteries required (not included)

## Accessories - Optional

ZR-RS Mini Click  
Rain SensorZR-MS Soil Moisture  
Humidity Sensor

## WARRANTY

2 Years

# ZR-T-DDS

# ZR-T-DDS2

## FEATURES

- Programmable manual watering for up to 240 minutes
- Run Time can be set at 5, 10, 15...55sec or 1-360min
- Frequency can be set at 10, 30sec or 1, 3, 5min or 1, 2, 4, 12h or 1-7 days
- Rain Delay settings available at 24, 48 or 72H
- Rain sensor or moisture sensor connection available to skip watering during rainy days or when soil is too wet
- Pressure rating 0.5 -8.0 Bar
- Flow up to 2.5 Cu. M/Hr
- CE approved
- Warranty 2 - years
- For taps with 26.5mm(G 3/4") thread
- 2 x AA alkaline batteries required (not included)

## FEATURES

- Programmable manual watering for up to 360 minutes
- Watering cycle can be set for when to start watering and How Long can be set for 10, 15, 20, 30, 40, 45, 50, 55 sec, or 1-360 minutes
- How Often can be set at every 30 sec or 1, 3, 5 minutes or 1, 2, 3, 4, 5, 6, 7 days
- Delay feature at 24, 48, 72 hours (when dial at RUN, press +)
- Rain sensor or moisture sensor connection available to skip watering during rainy days or when soil is too wet
- Pressure rating 0.5 -8.0 Bar
- Flow up to 2.5 Cu. M/Hr
- CE approved
- Warranty 2 - years
- For taps with 26.5mm(G 3/4") and 33.3mm(G 1") thread
- 2 x AA alkaline batteries required (not included)

## Accessories - Optional



ZR-RS Mini Click Rain Sensor



ZR-MS Soil Moisture Humidity Sensor



ZR-T-DDS



ZR-T-DDS2

## WARRANTY

2 Years



# ZV-50 1/2"



ZV-50-24AC



ZV-50-DC

24VAC/60Hz	24VAC/50Hz
Inrush: 130 mA	Inrush: 140 mA
Holding: 110 mA	Holding: 120 mA

## FEATURES

100% water tested

150PSI (10,3 BAR) rating

High-strength glass-filled nylon body with EPDM Chlorine resistant diaphragm

Diaphragm's self cleaning ports constantly flex, inhibiting sand and silt from blocking valve action

Molded shock cone for smooth operation and reduction of water hammer

Easy-to-use internal manual bleed lever; bleeds valve downstream; has positive stops for open and closed positions

High grade encapsulated solenoid with stainless steel actuator

DC Solenoid Option

120 Milli Amps solenoid consumption

ZV-50 Series Valve Pressure Loss			
Flow gpm	Loss PSI	Flow m3/hr	Loss BAR
0-4	1.2 max	0-1,	0,09 max
4	1.2	0	0,09
6	1.7	1,0	0,14
8	2.5	1,5	0,19
10	3.0	2,0	0,22
12	3.4	2,5	0,25
14	3.8	3,0	0,28
16	4.1	3,5	0,30
18	4.4	4,0	0,32
20	4.6	4,5	0,33
22	4.8	5,0	0,35

# ZV-75 3/4"

# ZV-100 1"

**FEATURES**

- 150PSI (10,3 BAR) rating
- High-strength glass-filled nylon body with EPDM Chlorine resistant diaphragm
- Molded shock cone for smooth operation and reduction of water hammer
- Easy-to-use manual operation
- High grade encapsulated solenoid with stainless steel actuator
- DC Solenoid option
- 180 Milli Amps solenoid consumption
- Two years warranty



ZV-75-24AC

ZV-75-DC



ZV-100-24AC

ZV-100-DC



ZV-100-M-24AC

ZV-100-M-DC

ZV-100 Series Valve Pressure Loss			
Flow gpm	Loss PSI	Flow m3/hr	Loss BAR
0-4	1.2 max	0-1,0	0,05 max
4	1.2	1,0	0,05
6	1.7	1,5	0,10
8	2.5	2,0	0,15
10	3.0	2,5	0,22
12	3.4	3,0	0,25
14	3.8	3,5	0,28
16	4.1	4,0	0,30
18	4.4	4,5	0,32
20	4.6	5,0	0,33
22	4.8	5,5	0,35
24	5.1	6,0	0,38
26	5.4	6,5	0,41
28	5.8	7,0	0,45
30	6.3	7,5	0,47
32	6.6	8,0	0,50
35	7.3	8,5	0,51

ZV-75 Series Valve Pressure Loss			
Flow gpm	Loss PSI	Flow m3/hr	Loss BAR
0-4	1.2 max	0-1,0	0,07 max
4	1.2	1,0	0,07
6	1.7	1,5	0,14
8	2.5	2,0	0,19
10	3.0	2,5	0,22
12	3.4	3,0	0,25
14	3.8	3,5	0,28
16	4.1	4,0	0,30
18	4.4	4,5	0,35

24VAC/60Hz	24VAC/50Hz
Inrush: 190 mA	Inrush: 195 mA
Holding: 180 mA	Holding: 185 mA

**WARRANTY**

3 Years

# ZV- Silver Max Series



**ZV-Silver Max 200 1", 1.5", 2" 24VAC**  
**ZV-Silver Max 200 1", 1.5", 2" DC**

## FEATURES

7 year trade warranty and 100% water tested

225 PSI (15,5 BAR) rating

High-efficiency solenoid for positive opening at high pressures; includes stainless steel actuator and brass threads for long life

Reverse flow design for water conservation in the event of failure

Diaphragm's self cleaning ports constantly flex, inhibiting sand and silt from blocking valve action

Brass shock cone for smooth operation and reduction of water hammer

Easy-to-use internal manual bleed lever; bleeds valve downstream; has positive stops for open and closed positions

High-strength glass-filled body and cover with ¼" stainless steel cover bolts and mating brass body inserts

Brass non-rising flow control stem throttles valve from full open to closed position

Excellent for low volume irrigation

Contamination-resistant (CR)

Chlorine- and chloramine-resistant EPDM diaphragm material

DC Solenoid option

120 Milli Amps solenoid consumption

PRS Pressure Regulator Option

ZV-Silver Max Series	
Model	Description
ZV-SM-100	1" Valve - 24VAC with Flow Control
ZV-SM-150	1 1/2" Valve - 24VAC with Flow Control
ZV-SM-200	2" Valve - 24VAC with Flow Control
ZV-SM-100 DC	1" Valve - DC with Flow Control
ZV-SM-150 DC	1 1/2" Valve - DC with Flow Control
ZV-SM-200 DC	2" Valve - DC with Flow Control

24VAC/60Hz	24VAC/50Hz
Inrush: 130 mA	Inrush: 140 mA
Holding: 110 mA	Holding: 120 mA

ZV-Silver Max Series Valve Pressure Loss							
Flow gpm	ZV-SM-100 1"	ZV-SM-150 1 1/2"	ZV-SM-200 2"	Flow m <sup>3</sup> /h	ZV-SM-100 1"	ZV-SM-150 1 1/2"	ZV-SM-200 2"
0-4	1.2 max			0-0,9	0,08 max		
6	1.4			1,0	0,10		
8	1.6			2,0	0,12		
10	1.7*			2,5	0,13*		
15	2.0			3,0	0,14		
20	2.3	1.3*		5,0	0,18	0,10*	
25	3.0	1.6		6,0	0,24	0,12	
30	4.3	1.9		7,0	0,32	0,14	
35	6.0	2.4		8,0	0,43	0,17	
40	7.7	3.0	2.3*	9,0	0,54	0,21	0,16*
45	9.5	3.8	2.4	10,0	0,64	0,26	0,17
50	11.5	4.6	2.6	11,0	0,77	0,31	0,17
55		5.6	2.7	12,0		0,37	0,18
60		6.7	2.9	14,0		0,51	0,20
70		9.5	3.3	16,0		0,68	0,23
80		13.0	3.4	18,0		0,90	0,23
90			4.2	20,0			0,29
100			5.2	22,0			0,34
110			6.7	24,0			0,42
120			7.7	26,0			0,50
130			8.8	30,0			0,62

\* Minimum recommended flow for valves with ZV-PR option

# ZV-150-200-300

# 1.5"-2"-3"

**FEATURES**

- 150 PSI (10.3 BAR) rating
- Very Low pressure loss most suitable for Agriculture applications
- Easy-to-use internal manual bleed lever; bleeds valve downstream; has positive stops for open and closed positions
- High-grade solenoid with stainless steel actuator
- High-strength glass-filled body and cover
- Excellent for low volume irrigation
- Contamination-resistant (CR)
- Chlorine- and chloramine-resistant EPDM diaphragm material
- DC Solenoid option
- 120 Milli Amps solenoid consumption



**ZV-150-200**

ZV 150,200,300 Series Valve Pressure Loss							
Flow gpm	1.5"	2 "	3"	Flow m3/h	1.5"	2"	3"
20				5,0			
30	1.4			6,0	0,01		
40	1.6			7,0	0,02		
50	1.7*			8,0	0,04*		
60	2.0			9,0	0,06		
70	2.3	1.3*		10,0	0,08	0,05*	
80	3.0	1.6		11,0	0,10	0,05	
90	4.3	1.9		12,0	0,11	0,06	
100	6.0	2.4		14,0	0,13	0,07	
110	7.7	3.0	2.3*	16,0	0,17	0,07	0,10*
120	9.5	3.8	2.4	20,0	0,25	0,10	0,10
140	11.5	4.6	2.6	24,0	0,30	0,14	0,12
160		5.6	2.7	28,0		0,15	0,14
180		6.7	2.9	32,0		0,20	0,17
200		9.5	3.3	36,0		0,25	0,18
225		13.0	3.4	40,0		0,35	0,20
250			4.2	50,0			0,30
275			5.2	60,0			0,40
300			6.7	70,0			0,50
350			7.7	80,0			0,60
400			8.8	90,0			0,70



**ZV-300**

**WARRANTY**

**2 Years**

24VAC/60Hz	24VAC/50Hz
Inrush: 130 mA	Inrush: 140 mA
Holding: 110 mA	Holding: 120 mA

ZV 150 1.5" ZV 200 2" ZV 300 3"	
Model	Description
ZV 150	Dirty Water 1 1/2" 24 VAC
ZV 200	Dirty Water 2" 24 VAC
ZV 300	Dirty Water 3" 24 VAC

ZV 150 1.5" ZV 200 2" ZV 300 3"	
Model	Description
ZV 150 DC	Dirty Water 1 1/2" DC
ZV 200 DC	Dirty Water 2" DC
ZV 300 DC	Dirty Water 3" DC



# ZP Spray



ZP2

ZP4

ZP6

## FEATURES

- 2-Year Trade Warranty
- Body cap designed for slip free gripping
- One piece designed wiper seal
- Ultra-low flushing enables 5 PSI sealing
- Two-piece ratchet teeth ensures nozzle alignment
- 100% Virgin material used
- Reinforced ribbed body
- Compatible with all industry-standard female thread nozzles

Nozzle Options: 10AAN, 12AAN, 15AAN & 17AAN

## OPERATING DATA

- Pressure range: 15 - 70 PSI (1,0 - 4,8 BARS)
- Flow-by: Zero @ 5 PSI (0,3) or greater

Dimensions 1/2" Female Threaded inlets		
Model	Pop-Up Height	
ZP2	2"	5.0 cm
ZP4	4"	10.0 cm
ZP6	6"	15.0 cm
Exposed Cover	2 1/4"	5,7 cm

## WARRANTY

2 Years

# ZP Panda Spray

**FEATURES**

- Flush Plug has easy lift, flexible material
- 2-Year Trade Warranty
- Body cap designed for slip free gripping
- One piece designed wiper seal
- Ultra-low flushing enables 5 PSI sealing
- Two-piece ratchet teeth ensures nozzle alignment
- Optional factory installed check valve
- 100% Virgin material used
- Reinforced ribbed body
- Compatible with all industry-standard female thread nozzles

**OPERATING DATA**

Factory installed check valve: 9.5 ft/hd @ 18 PSI (2.9 m/hd @ 1,2 BAR)



ZP2 PANDA      ZP3 PANDA      ZP4 PANDA

ZM PANDA Spray 1/2" Female Threaded Inlets		
Model	Pop-up Height	
ZP2 PANDA	2"	5 cm
ZP3 PANDA	3"	7.5 cm
ZP4 PANDA	4"	10 cm
ZP6 PANDA	6"	15 cm
ZP12 PANDA	12"	30 cm
ZPS PANDA	0"	0 cm
ZP-NP	Pink cover	



ZP6 PANDA      ZP12 PANDA

with side - inlet

**WARRANTY**

**2 Years**



**ZPS PANDA Shrub Adapter**  
1/2" female inlet threads except all industry-standard female nozzles

# ZP Panda PRS Spray

## FEATURES

- In-Stem pressure regulator set to 30 or 40 PSI
- Flush Plug has easy lift, flexible material
- 2-Year Trade Warranty
- Body cap designed for slip free gripping
- One piece designed wiper seal
- Ultra-low flushing enables 5 PSI sealing
- Two-piece ratchet teeth ensures nozzle alignment
- Optional factory installed check valve
- 100% Virgin material used
- Reinforced ribbed body
- Compatible with all industry-standard female thread nozzles

## OPERATING DATA

Factory installed check valve: 9.5 ft/hd @ 18 PSI (2.9 m/hd @ 1,2 BAR)



ZP4PRS30

ZP6PRS30

ZP12PRS30

with side - inlet



ZP4PRS40

ZP6PRS40

ZP12PRS40

with side - inlet

Dimensions 1/2" Female Threaded inlets		
Model	Body Height	
ZP4 PRS	6 1/4"	15,9 cm
ZP6 PRS	8 1/2"	21,6 cm
ZP12 PRS	15 1/4"	38,7 cm
Exposed Cover	2 1/4"	5,7 cm

ZM PRS PANDA Spray 1/2" Female Threaded Inlets		
Model	Pop-up Height	
ZP4 PRS30	4"	10 cm
ZP6 PRS30	6"	15 cm
ZP12 PRS30	12"	30 cm
ZP4 PRS40	4"	10 cm
ZP6 PRS40	6"	15 cm
ZP12 PRS40	12"	30 cm
ZP-NP	Pink cover	

## WARRANTY

2 Years

**FEATURES**

- Easy grip-and-turn adjustment
- Exceptional uniform coverage
- Maintains matched precipitation rates between arcs within a radius
- Stainless steel radius adjustment screw
- Reusable, dual compartment resealable bags

**APPLICATIONS**

- For use with all ZM Series sprayheads
- Fits all industry-standard sprayheads with male thread risers

**OPERATING DATA**

Precipitation rate: 1.18 - 5.74" per hour (30 - 146 mm/h)  
 Pressure: 20 - 40 PSI (1,4 - 2,8 BARS)

# ZP AAN



Arc	Pressure Bar	kPa	1.2 m Radius				Nozzle		1.8 m Radius				Nozzle	
			Radius m	m <sup>3</sup> /hr	Flow l/min	Precip mm/hr	▲	■	Radius m	m <sup>3</sup> /hr	Flow l/min	Precip mm/hr	▲	■
45°	1.0	100	0.9	0.02	0.27	162	187	1.5	0.02	0.37	79	91		
	1.5	150	0.9	0.02	0.34	202	234	1.5	0.03	0.46	98	113		
	2.0	200	1.2	0.02	0.40	133	154	1.8	0.03	0.54	80	92		
	2.1	210	1.2	0.02	0.41	137	158	1.8	0.03	0.55	82	95		
	2.5	250	1.2	0.03	0.45	151	174	1.8	0.04	0.61	90	104		
90°	1.0	100	0.9	0.03	0.55	162	187	1.5	0.04	0.74	79	91		
	1.5	150	0.9	0.04	0.68	202	234	1.5	0.06	0.92	98	113		
	2.0	200	1.2	0.05	0.80	133	154	1.8	0.06	1.08	80	92		
	2.1	210	1.2	0.05	0.82	137	158	1.8	0.07	1.11	82	95		
	2.5	250	1.2	0.05	0.90	151	174	1.8	0.07	1.22	90	104		
120°	1.0	100	0.9	0.04	0.73	162	187	1.5	0.06	0.98	79	91		
	1.5	150	0.9	0.05	0.91	202	234	1.5	0.07	1.23	98	113		
	2.0	200	1.2	0.06	1.07	133	154	1.8	0.09	1.44	80	92		
	2.1	210	1.2	0.07	1.10	137	158	1.8	0.09	1.48	82	95		
	2.5	250	1.2	0.07	1.21	151	174	1.8	0.10	1.62	90	104		
180°	1.0	100	0.9	0.07	1.09	162	187	1.5	0.09	1.47	79	91		
	1.5	150	0.9	0.08	1.37	202	234	1.5	0.11	1.84	98	113		
	2.0	200	1.2	0.10	1.60	133	154	1.8	0.13	2.16	80	92		
	2.1	210	1.2	0.10	1.64	137	158	1.8	0.13	2.21	82	95		
	2.5	250	1.2	0.11	1.81	151	174	1.8	0.15	2.44	90	104		
240°	1.0	100	0.9	0.09	1.46	162	187	1.5	0.12	1.96	79	91		
	1.5	150	0.9	0.11	1.82	202	234	1.5	0.15	2.45	98	113		
	2.0	200	1.2	0.13	2.13	133	154	1.8	0.17	2.87	80	92		
	2.1	210	1.2	0.13	2.19	137	158	1.8	0.18	2.95	82	95		
	2.5	250	1.2	0.14	2.41	151	174	1.8	0.19	3.25	90	104		
270°	1.0	100	0.9	0.10	1.64	162	187	1.5	0.13	2.21	123	91		
	1.5	150	0.9	0.12	2.05	202	234	1.5	0.17	2.76	98	113		
	2.0	200	1.2	0.14	2.40	133	154	1.8	0.19	3.23	80	92		
	2.1	210	1.2	0.15	2.47	137	158	1.8	0.20	3.32	82	95		
	2.5	250	1.2	0.16	2.71	151	174	1.8	0.22	3.66	90	104		
360°	1.0	100	0.9	0.13	2.19	162	187	1.5	0.18	2.94	123	91		
	1.5	150	0.9	0.16	2.73	202	234	1.5	0.22	3.68	98	113		
	2.0	200	1.2	0.19	3.20	133	154	1.8	0.26	4.31	80	92		
	2.1	210	1.2	0.20	3.29	137	158	1.8	0.27	4.43	82	95		
	2.5	250	1.2	0.22	3.62	151	174	1.8	0.29	4.87	90	104		

**Strip Nozzle**

Color Code: Blue ●  
 Nozzle Model : Strip

SS-530N Side Strip	Pressure Bar	kPa	Width xLength	Flow m <sup>3</sup> /hr	l/min
	1.0	100	1.2mx8.5m	0.21	3.5
1.5	100	1.4mx8.5m	0.25	4.2	
2.0	200	1.5mx9.0m	0.29	4.9	
2.1	210	1.5mx9.0m	0.30	5.0	
2.5	250	1.5mx9.0m	0.33	5.5	



**WARRANTY**  
 2 Years



# ZP AAN



**8AAN**



**10AAN**



**12AAN**



**15AAN**



**17AAN**

**2.4 m Radius**

Adjustable from 0° to 360°

Trajectory: 0°

Color Code: Brown

Nozzle

8AAN

**3.0 m Radius**

Adjustable from 0° to 360°

Trajectory: 15°

Color Code: Red

Nozzle

10AAN

**3.7 m Radius**

Adjustable from 0° to 360°

Trajectory: 28°

Color Code: Green

Nozzle

12AAN

**4.6 m Radius**

Adjustable from 0° to 360°

Trajectory: 28°

Color Code: Black

Nozzle

15AAN

**5.2 m Radius**

Adjustable from 0° to 360°

Trajectory: 28°

Color Code: Gray

Nozzle

17AAN

Arc	Pressure Bar kPa	2.4 m Radius				3.0 m Radius				3.7 m Radius				4.6 m Radius				5.2 m Radius								
		Radius m	Flow m <sup>3</sup> /hr	Flow l/min	Precip mm/hr	Radius m	Flow m <sup>3</sup> /hr	Flow l/min	Precip mm/hr	Radius m	Flow m <sup>3</sup> /hr	Flow l/min	Precip mm/hr	Radius m	Flow m <sup>3</sup> /hr	Flow l/min	Precip mm/hr	Radius m	Flow m <sup>3</sup> /hr	Flow l/min	Precip mm/hr					
45°	1.0 100	1.7	0.02	0.37	62	72	2.1	0.04	0.63	68	79	2.7	0.05	0.81	53	61	3.4	0.07	1.19	50	57	4.7	0.09	1.54	33	39
	1.5 150	2.1	0.03	0.47	51	59	2.4	0.05	0.79	66	76	3.2	0.06	1.01	47	55	3.9	0.09	1.49	47	54	4.9	0.12	1.93	38	44
	2.0 200	2.4	0.03	0.55	46	53	3.0	0.06	0.92	49	57	3.7	0.07	1.18	42	48	4.6	0.10	1.75	40	46	5.2	0.14	2.26	40	46
	2.1 210	2.7	0.03	0.56	37	43	3.3	0.06	0.95	42	48	4.0	0.07	1.22	36	42	4.9	0.11	1.80	36	41	5.5	0.14	2.32	37	42
90°	1.0 100	1.7	0.04	0.75	62	72	2.1	0.08	1.26	68	79	2.7	0.10	1.62	53	61	3.4	0.14	2.39	50	57	4.7	0.18	3.08	33	39
	1.5 150	2.1	0.06	0.93	51	59	2.4	0.09	1.57	66	76	3.2	0.12	2.02	47	55	3.9	0.18	2.89	47	54	4.9	0.23	3.85	38	44
	2.0 200	2.4	0.07	1.09	46	53	3.0	0.11	1.84	49	57	3.7	0.14	2.37	42	48	4.6	0.21	3.50	40	46	5.2	0.27	4.51	40	46
	2.1 210	2.7	0.07	1.12	37	43	3.3	0.11	1.89	42	48	4.0	0.15	2.43	36	42	4.9	0.22	3.59	36	41	5.5	0.28	4.63	37	42
120°	1.0 100	1.7	0.06	1.00	62	72	2.1	0.10	1.68	68	79	2.7	0.13	2.16	53	61	3.4	0.19	3.18	50	57	4.7	0.25	4.11	33	39
	1.5 150	2.1	0.07	1.24	51	59	2.4	0.13	2.10	66	76	3.2	0.16	2.70	47	55	3.9	0.24	3.98	47	54	4.9	0.31	5.13	38	44
	2.0 200	2.4	0.09	1.46	46	53	3.0	0.15	2.46	49	57	3.7	0.19	3.16	42	48	4.6	0.28	4.66	40	46	5.2	0.36	6.01	40	46
	2.1 210	2.7	0.09	1.50	37	43	3.3	0.15	2.52	42	48	4.0	0.19	3.24	36	42	4.9	0.29	4.79	36	41	5.5	0.37	6.18	37	42
180°	1.0 100	1.7	0.09	1.49	62	72	2.1	0.15	2.52	68	79	2.7	0.19	3.23	53	61	3.4	0.29	4.77	50	57	4.7	0.37	6.16	33	39
	1.5 150	2.1	0.11	1.87	51	59	2.4	0.19	3.14	66	76	3.2	0.24	4.04	47	55	3.9	0.36	5.97	47	54	4.9	0.46	7.70	38	44
	2.0 200	2.4	0.13	2.19	46	53	3.0	0.22	3.68	49	57	3.7	0.28	4.74	42	48	4.6	0.42	6.99	40	46	5.2	0.54	9.02	40	46
	2.1 210	2.7	0.13	2.25	37	43	3.3	0.23	3.78	42	48	4.0	0.29	4.86	36	42	4.9	0.43	7.18	36	41	5.5	0.56	9.27	37	42
240°	1.0 100	1.7	0.12	1.99	62	72	2.1	0.20	3.35	68	79	2.7	0.26	4.31	53	61	3.4	0.38	6.37	50	57	4.7	0.49	8.21	33	39
	1.5 150	2.1	0.15	2.49	51	59	2.4	0.25	4.19	66	76	3.2	0.32	5.39	47	55	3.9	0.48	7.96	47	54	4.9	0.62	10.27	38	44
	2.0 200	2.4	0.17	2.92	46	53	3.0	0.29	4.91	49	57	3.7	0.38	6.31	42	48	4.6	0.56	9.32	40	46	5.2	0.72	12.03	40	46
	2.1 210	2.7	0.18	2.99	37	43	3.3	0.30	5.04	42	48	4.0	0.39	6.49	36	42	4.9	0.57	9.57	36	41	5.5	0.74	12.35	37	42
270°	1.0 100	1.7	0.13	2.24	62	72	2.1	0.23	3.77	68	79	2.7	0.29	4.85	53	61	3.4	0.43	7.16	50	57	4.7	0.55	9.24	33	39
	1.5 150	2.1	0.17	2.80	51	59	2.4	0.28	4.72	66	76	3.2	0.36	6.06	47	55	3.9	0.54	8.95	47	54	4.9	0.69	11.55	38	44
	2.0 200	2.4	0.20	3.28	46	53	3.0	0.33	5.52	49	57	3.7	0.43	7.10	42	48	4.6	0.63	10.49	40	46	5.2	0.81	13.53	40	46
	2.1 210	2.7	0.20	3.37	37	43	3.3	0.34	5.68	42	48	4.0	0.44	7.30	36	42	4.9	0.65	10.77	36	41	5.5	0.83	13.90	37	42
360°	1.0 100	1.7	0.18	2.99	62	72	2.1	0.30	5.03	68	79	2.7	0.39	6.47	53	61	3.4	0.57	9.55	50	57	4.7	0.74	12.32	33	39
	1.5 150	2.1	0.22	3.73	51	59	2.4	0.38	6.29	66	76	3.2	0.49	8.09	47	55	3.9	0.72	11.94	47	54	4.9	0.92	15.40	38	44
	2.0 200	2.4	0.26	4.37	46	53	3.0	0.44	7.37	49	57	3.7	0.57	9.47	42	48	4.6	0.84	13.98	40	46	5.2	1.08	18.04	40	46
	2.1 210	2.7	0.27	4.49	37	43	3.3	0.45	7.57	42	48	4.0	0.58	9.73	36	42	4.9	0.86	14.36	36	41	5.5	1.11	18.53	37	42
2.5 250	2.8	0.30	4.94	38	44	3.5	0.50	8.33	41	47	4.2	0.64	10.71	36	42	5.2	0.95	15.81	35	40	5.7	1.22	20.40	38	43	

**WARRANTY**  
2 Years

# ZP35 1/2"

## FEATURES

- 5 year warranty and 100% water tested
- Radius adjustment screw decreases radius up to 25%
- Easy-grip threaded cover
- 8 field-changeable nozzles
- Safety clutch for vandal protection; ratchets like a sprayhead
- Adjustable arc from 40-360 degrees
- Pressure activated wiper seal and strong stainless steel popping-up models to ensure positive retraction
- Streamlined large flow tube to minimize pressure loss through sprinkler
- Impeller flow regulator automatically matches rotation to nozzle selection
- Smooth impeller gear drive for highly uniform watering
- Large area, basket type, removable strainer for debris protection
- Check valve holds back 12' (3,7 m/hd) of elevated water

## CONSTRUCTION

- High-strength non-corrosive plastics and metals used throughout sprinkler
- Sealed, lubricant packed drive housing provides long life performance

## ZP35 DIMENSIONS

Height (closed): 7 5/8" (19,4 cm) Pop-up  
 Height: 4" (10,2 cm)  
 Inlet: 1/2" IPS

## WARRANTY

**5 Years**



ZP 35 1/2"



	US					METRIC					
	Nozzle	Pressure psi	Radius ft.	Flow gpm	Precip. in/hr ■	Precip. in/hr ▲	Pressure bar	Radius m	Flow m <sup>3</sup> /hr	Precip. mm/hr	Precip. mm/hr ▲
	STANDARD ANGLE		18° TRAJECTORY								
<b>0.75</b>	30	16	0.57	0.43	0.50	2.1	4.88	0.13	11	13	
	40	17	0.67	0.45	0.52	2.8	5.18	0.15	11	13	
	50	17	0.75	0.50	0.58	3.4	5.18	0.17	13	15	
<b>1</b>	30	17	0.76	0.51	0.58	2.1	5.18	0.17	13	15	
	40	19	0.86	0.46	0.53	2.8	5.79	0.20	12	13	
	50	21	1	0.44	0.50	3.4	6.40	0.23	11	13	
<b>1.5</b>	30	20	1.2	0.58	0.67	2.1	6.10	0.28	15	17	
	40	21	1.4	0.61	0.71	2.8	6.40	0.32	16	18	
	50	22	1.5	0.60	0.69	3.4	6.71	0.35	15	18	
<b>2</b>	30	23	1.4	0.51	0.59	2.1	7.01	0.32	13	15	
	40	25	1.7	0.52	0.60	2.8	7.62	0.39	13	15	
	50	27	2	0.53	0.61	3.4	8.23	0.46	13	15	
<b>2.5</b>	30	28	1.8	0.44	0.51	2.1	8.53	0.41	11	13	
	40	32	2.2	0.41	0.48	2.8	9.75	0.51	11	12	
	50	34	2.5	0.42	0.48	3.4	10.36	0.58	11	12	
<b>3</b>	30	30	2.3	0.49	0.57	2.1	9.14	0.53	13	14	
	40	34	2.8	0.47	0.54	2.8	10.36	0.64	12	14	
	50	35	3	0.47	0.54	3.4	10.67	0.69	12	14	
<b>4</b>	30	31	3.2	0.64	0.74	2.1	9.45	0.74	16	19	
	40	36	3.9	0.58	0.67	2.8	10.97	0.90	15	17	
	50	37	4	0.56	0.65	3.4	11.28	0.92	14	17	
<b>5</b>	30	33	4.1	0.73	0.84	2.1	10.06	0.94	18	21	
	40	37	4.9	0.69	0.80	2.8	11.28	1.13	18	20	
	50	40	5.5	0.66	0.76	3.4	12.19	1.27	17	19	

■ Square spacing based on 50% of diameter  
 ▲ Triangular spacing based on 50% of diameter  
 Note: All precipitation rates are calculated for 180° operation.

# ZP50 3/4"

## ZP50 PERFORMANCE

US						METRIC					
Nozzle	Pressure psi	Radius ft.	Flow gpm	Precip. in/hr ■	Precip. in/hr ▲	Pressure bar	Radius m	Flow m³/hr	Precip. mm/hr ■	Precip. mm/hr ▲	
<b>STANDARD ANGLE 26° TRAJECTORY</b>											
1	30	28	0.7	0.17	0.20	2,1	8,5	0,16	4	5	
	40	32	0.8	0.15	0.17	2,8	9,8	0,18	4	4	
	50	33	0.9	0.16	0.18	3,4	10,1	0,20	4	5	
	60	33	1.0	0.18	0.20	4,1	10,1	0,23	4	5	
1.5	30	31	1.0	0.20	0.23	2,1	9,4	0,23	5	6	
	40	35	1.4	0.19	0.22	2,8	10,7	0,27	5	6	
	50	36	1.6	0.24	0.27	3,4	11,0	0,36	6	7	
	60	36	1.8	0.27	0.31	4,1	11,0	0,41	7	8	
2	30	28	1.2	0.29	0.34	2,1	8,5	0,27	7	9	
	40	35	1.4	0.22	0.25	2,8	10,7	0,32	6	6	
	50	35	1.9	0.30	0.34	3,4	10,7	0,43	8	9	
	60	35	2.3	0.36	0.42	4,1	10,7	0,52	9	11	
3	30	30	1.7	0.36	0.42	2,1	9,1	0,39	9	11	
	40	38	2.0	0.27	0.31	2,8	11,6	0,45	7	8	
	50	39	2.4	0.30	0.35	3,4	11,9	0,55	8	9	
	60	41	2.8	0.32	0.37	4,1	12,6	0,64	8	9	
3.5	40	41	3.5	0.40	0.46	2,8	12,5	0,79	10	12	
	50	42	3.7	0.40	0.47	3,4	12,8	0,84	10	12	
	60	43	4.3	0.45	0.52	4,1	13,1	0,98	11	13	
4	40	44	4.0	0.40	0.46	2,8	13,4	0,91	10	12	
	50	45	4.3	0.41	0.47	3,4	13,7	0,98	10	12	
	60	46	5.0	0.45	0.53	4,1	14,0	1,14	11	13	
6	40	45	5.5	0.52	0.60	2,8	13,7	1,25	13	15	
	50	46	6.3	0.57	0.66	3,4	14,0	1,43	15	17	
	60	47	6.9	0.60	0.69	4,1	14,3	1,57	15	18	
8	40	45	6.3	0.60	0.69	2,8	13,7	1,43	15	18	
	50	47	7.5	0.65	0.75	3,4	14,3	1,70	17	19	
	60	51	8.1	0.60	0.69	4,1	15,5	1,84	15	18	
<b>SmartAngle 13° LOW ANGLE TRAJECTORY</b>											
2.0LA	30	29	1.6	0.37	0.42	2,1	8,8	0,36	9	11	
	40	33	1.9	0.34	0.39	2,8	10,1	0,43	9	10	
	50	34	2.1	0.35	0.40	3,4	10,4	0,48	9	10	
2.5LA	30	31	2.1	0.42	0.49	2,1	9,4	0,48	11	12	
	40	35	2.6	0.41	0.47	2,8	10,7	0,59	10	12	
	50	36	2.9	0.43	0.50	3,4	11,0	0,66	11	13	
3.5LA	30	31	2.7	0.54	0.62	2,1	9,4	0,61	14	16	
	40	35	3.2	0.50	0.58	2,8	10,7	0,73	13	15	
	50	37	3.5	0.49	0.57	3,4	11,3	0,79	13	14	
4.5LA	30	33	3.0	0.53	0.61	2,1	10,1	0,68	13	16	
	40	37	3.4	0.48	0.55	2,8	11,3	0,77	12	14	
	50	37	4.1	0.58	0.67	3,4	11,3	0,93	15	17	
<b>FLOW+ NOZZLES 26° TRAJECTORY</b>											
9	50	50	9.5	0.73	0.84	3,4	15,2	2,16	19	21	
	60	54	10.8	0.71	0.82	4,1	16,5	2,45	18	21	
	70	55	11.7	0.74	0.86	4,8	16,8	2,66	19	22	
13	50	57	12.4	0.73	0.85	3,4	17,4	2,82	19	22	
	60	59	13.8	0.76	0.88	4,1	18,0	3,13	19	22	
	70	61	14.9	0.77	0.89	4,8	18,6	3,38	20	23	

■ Square spacing based on 50% of diameter  
▲ Triangular spacing based on 50% of diameter  
Note: All precipitation rates are calculated for 180° operation.  
Divide by 2 for full circle precipitation rates

### FEATURES

- 5 year warranty and 100% water tested
- Radius adjustment screw decreases radius up to 25%
- Easy-grip threaded cover
- 14 field-changeable nozzles with 4 Low angle nozzles
- Safety clutch for vandal protection; ratchets like a sprayhead
- Adjustable arc from 40-360 degrees
- Pressure activated wiper seal and strong stainless steel spring on pop-up models to ensure positive retraction
- Streamlined large flow tube to minimize pressure loss through sprinkler
- Impeller flow regulator automatically matches rotation to nozzle selection
- Smooth impeller gear drive for highly uniform watering Large area,
- basket type, removable strainer for debris protection
- Check valve holds back 12' (3,7 m/hd) of elevated water

### CONSTRUCTION

- High-strength non-corrosive plastics and metals used throughout sprinkler
- Sealed, lubricant packed drive housing provides long life performance

### ZP35 DIMENSIONS

Height (closed): 7 5/8" (19,4 cm) Pop-up  
Height: 4" (10,2 cm)  
Inlet: 3/4" IPS

ZP 50 3/4"



### WARRANTY

5 Years



# ZP75 1"

## FEATURES

- 5 year warranty and 100% water tested
- Radius adjustment screw decreases radius up to 25%
- Easy-grip threaded cover
- 8 field-changeable nozzles
- Safety clutch for vandal protection; ratchets like a sprayhead
- Adjustable arc from 40-360 degrees
- Pressure activated wiper seal and strong stainless steel spring-up models to ensure positive retraction
- Streamlined large flow tube to minimize pressure loss through sprinkler
- Impeller flow regulator automatically matches rotation to nozzle selection
- Smooth impeller gear drive for highly uniform watering
- Large area, basket type, removable strainer for debris protection
- Check valve holds back 12' (3,7 m/hd) of elevated water

## CONSTRUCTION

- High-strength non-corrosive plastics and metals used throughout sprinkler
- Sealed, lubricant packed drive housing provides long life performance

## ZP35 DIMENSIONS

Height (closed): 7 5/8" (19,4 cm) Pop-up  
 Height: 4" (10,2 cm)  
 Inlet: 1" IPS

## WARRANTY

**5 Years**

ZP75 1"



## ZP75 PERFORMANCE

Nozzle	US					METRIC				
	Pressure psi	Radius ft.	Flow gpm	Precip. in/hr ■	Precip. in/hr ▲	Pressure bar	Radius m	Flow m³/hr	Precip. mm/hr ■	Precip. mm/hr ▲
<b>STANDARD ANGLE 26° TRAJECTORY</b>										
1	30	28	0.7	0.17	0.20	2,1	8,5	0,16	4	5
	40	32	0.8	0.15	0.17	2,8	9,8	0,18	4	4
	50	33	0.9	0.16	0.18	3,4	10,1	0,20	4	5
	60	33	1.0	0.18	0.20	4,1	10,1	0,23	4	5
1.5	30	31	1.0	0.20	0.23	2,1	9,4	0,23	5	6
	40	35	1.4	0.19	0.22	2,8	10,7	0,27	5	6
	50	36	1.6	0.24	0.27	3,4	11,0	0,36	6	7
	60	36	1.8	0.27	0.31	4,1	11,0	0,41	7	8
2	30	28	1.2	0.29	0.34	2,1	8,5	0,27	7	9
	40	35	1.4	0.22	0.25	2,8	10,7	0,32	6	6
	50	35	1.9	0.30	0.34	3,4	10,7	0,43	8	9
	60	35	2.3	0.36	0.42	4,1	10,7	0,52	9	11
3	30	30	1.7	0.36	0.42	2,1	9,1	0,39	9	11
	40	38	2.0	0.27	0.31	2,8	11,6	0,45	7	8
	50	39	2.4	0.30	0.35	3,4	11,9	0,55	8	9
	60	41	2.8	0.32	0.37	4,1	12,6	0,64	8	9
3.5	40	41	3.5	0.40	0.46	2,8	12,5	0,79	10	12
	50	42	3.7	0.40	0.47	3,4	12,8	0,84	10	12
	60	43	4.3	0.45	0.52	4,1	13,1	0,98	11	13
4	40	44	4.0	0.40	0.46	2,8	13,4	0,91	10	12
	50	45	4.3	0.41	0.47	3,4	13,7	0,98	10	12
	60	46	5.0	0.45	0.53	4,1	14,0	1,14	11	13
6	40	45	5.5	0.52	0.60	2,8	13,7	1,25	13	15
	50	46	6.3	0.57	0.66	3,4	14,0	1,43	15	17
	60	47	6.9	0.60	0.69	4,1	14,3	1,57	15	18
8	40	45	6.3	0.60	0.69	2,8	13,7	1,43	15	18
	50	47	7.5	0.65	0.75	3,4	14,3	1,70	17	19
	60	51	8.1	0.60	0.69	4,1	15,5	1,84	15	18
<b>SmartAngle 13° LOW ANGLE TRAJECTORY</b>										
2.0LA	30	29	1.6	0.37	0.42	2,1	8,8	0,36	9	11
	40	33	1.9	0.34	0.39	2,8	10,1	0,43	9	10
	50	34	2.1	0.35	0.40	3,4	10,4	0,48	9	10
2.5LA	30	31	2.1	0.42	0.49	2,1	9,4	0,48	11	12
	40	35	2.6	0.41	0.47	2,8	10,7	0,59	10	12
	50	36	2.9	0.43	0.50	3,4	11,0	0,66	11	13
3.5LA	30	31	2.7	0.54	0.62	2,1	9,4	0,61	14	16
	40	35	3.2	0.50	0.58	2,8	10,7	0,73	13	15
	50	37	3.5	0.49	0.57	3,4	11,3	0,79	13	14
4.5LA	30	33	3.0	0.53	0.61	2,1	10,1	0,68	13	16
	40	37	3.4	0.48	0.55	2,8	11,3	0,77	12	14
	50	37	4.1	0.58	0.67	3,4	11,3	0,93	15	17
<b>FLOW+ NOZZLES 26° TRAJECTORY</b>										
9	50	50	9.5	0.73	0.84	3,4	15,2	2,16	19	21
	60	54	10.8	0.71	0.82	4,1	16,5	2,45	18	21
	70	55	11.7	0.74	0.86	4,8	16,8	2,66	19	22
13	50	57	12.4	0.73	0.85	3,4	17,4	2,82	19	22
	60	59	13.8	0.76	0.88	4,1	18,0	3,13	19	22
	70	61	14.9	0.77	0.89	4,8	18,6	3,38	20	23

■ Square spacing based on 50% of diameter

▲ Triangular spacing based on 50% of diameter

Note: All precipitation rates are calculated for 180° operation.

Divide by 2 for full circle precipitation rates





# ZM 1/2" 3/4"



ZM 1/2" 3/4"

## FEATURES

- Heavy-duty plastic case with sturdy reinforced ribbed design.
- Double-weighted arm for slower rotation and increased throw distance.
- Self flushing inner trip with improved inner trip lever.
- Energy efficient low pressure and low flow operation.
- Full circle or adjustable arc 20-340 deg.
- Single nozzle with five nozzle options
- Radius range from 11.0 - 13.0 Meters
- Radius diffuser pin.
- FP trip for full circle or part circle operation.
- Inlet screen filter.
- Side inlet installation is not recommended in freezing climates.
- Multi function pressure activated wiper seal.
- Combination of 1/2" and 3/4" female bottom inlet.

## MODELS

- ZM 1/2" 3/4" 2.8 mm
- ZM 1/2" 3/4" 3.0 mm
- ZM 1/2" 3/4" 3.2 mm
- ZM 1/2" 3/4" 3.5 mm
- ZM 1/2" 3/4" 4.0 mm

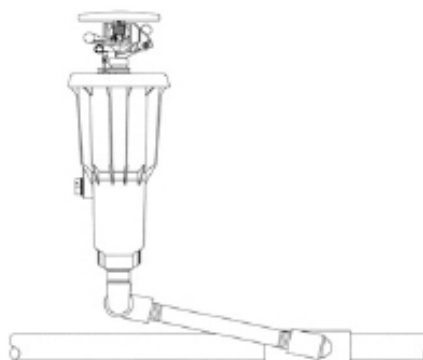
## DIMENSIONS

- Height (closed): (22,4 cm)
- Pop-up Height: (7.5 cm)

Nozzle Size	mm	2.8			3.0			3.2			3.5			4.0		
		2.8	3.0	4.0	1.0	2.0	3.0	1.0	2.0	3.0	1.0	2.0	3.0	1.0	2.0	3.0
P	bar	2.0	3.0	4.0	1.0	2.0	3.0	1.0	2.0	3.0	1.0	2.0	3.0	1.0	2.0	3.0
F	m <sup>3</sup> /h	0.45	0.55	0.63	0.36	0.51	0.63	0.41	0.57	0.70	0.49	0.66	0.81	0.60	0.85	1.03
R	m	11.0	11.5	12.0	9.50	11.5	12.0	10.0	11.5	12.0	10.0	11.5	12.0	10.5	12.0	13.0

## WARRANTY

2 Years



# ZP-JB-PC

## ZP-JB-PC SERIES

**ZP-JB-PC** provides a soft, bubbling action for deep soaking. Ideal for planter boxes, tree wells or similar areas when proper drainage is available.

### FEATURES

- Pressure compensating bubbler with trickle pattern
- Inlet filter screen to prevent clogging
- Durable engineering-grade plastic construction
- Available in ½ GPM and 1 GPM discharge models
- Application for tree wells and bed areas

### CONSTRUCTION

Durable ABS plastic housing. Pressure compensating device is made of long life Buna-N rubber

(½" IPS connection)

### OPERATING RANGE

Flow:	.5 - 1.0 GPM	1,9 - 3,8 lpm
Spacing:	1 - 3'	0,3 - 0,9 m
Pressure:	15 - 45 PSI	1,1 - 3,2 Kg/cm2

## ZP-JB SERIES

**ZP-JB** are the perfect choice for all applications where economy and/or higher flows are required. Ideal for planter boxes, tree wells or similar areas when proper drainage is available.

### FEATURES

- Umbrella pattern, full circle bubbler
- Durable engineering-grade plastic construction
- Inlet filter screen to prevent clogging
- Application for free wells and bed areas

### CONSTRUCTION

Durable ABS plastic housing with stainless steel adjustment screw

(½" IPS connection)

### OPERATING RANGE

Flow:	1.1 - 2.3 gpm	0,25 - 0,52 m <sup>3</sup> /h
Spacing:	1 - 3'	0,3 - 0,9 m
Pressure:	10 - 60 PSI	1,1 - 4,2 BAR

### WARRANTY

**2 Years**



**PRESSURE COMPENSATING BUBBLER**



**ADJUSTABLE BUBBLERS**

Pressure Compensating Bubbler Specification	
Model	Description
ZP-JB-PC-50	0.5 GPM
ZP-JB-PC-100	1.0 GPM

Adjustable Bubbler Specification	
Model	Description
ZP-JB-2	Screwdriver adjustment
ZP-JB-3	Knob adjustment

No. ZP-JB-2, JB-3 Performance Data					
Pressure		Flow			
		Min*		Max	
PSI	kg/cm2	gpm	lpm	gpm	lpm
20	1,4	1.3	4,9	3.0	11,4
30	2,2	1.6	6,1	4.0	15,1
45	3,2	2.0	7,6	4.5	17,0

\* Flow rate for factory adjusted setting.

# ZP-RS ROOT WATERING

## FEATURES

- Durable locking cap for vandal resistance
- Deliver water across all levels of the root zone for high-efficiency subsurface irrigation of trees and shrubs
- Pressure-compensating bubbler for accurate water flow
- Built-in Swing Joint
- Pr-assembled for fast installation
- Bubbler flow rates: 0.9 l/min or 1.9 l/min
- Recommended pressure range: 1.0 to 4.8 bar; 100 to 480 kPa
- Subsurface irrigation minimizes run-off and evaporation
- Intended for use with water dispensing devices, such as a bubbler or emitter. It can be customized by end user to meet specific required irrigation needs or can be supplied with bubbler and check valve options.



ZP-RS-36" ZP-RS-18"

Root Watering System Specification	
Model	Description
ZP-RS-18	45 cm Root Watering System
ZP-RS-36	90 cm Root Watering System

Pressure Compensating Bubbler Specification	
Model	Description
106-50	.5 GPM
106-100	1.0 GPM

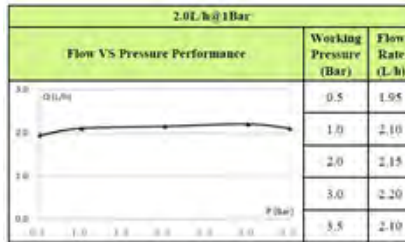
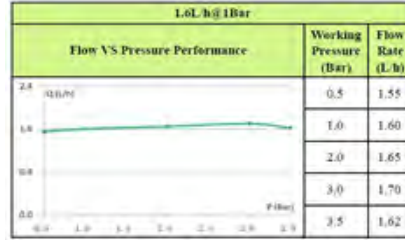
## WARRANTY

2 Years

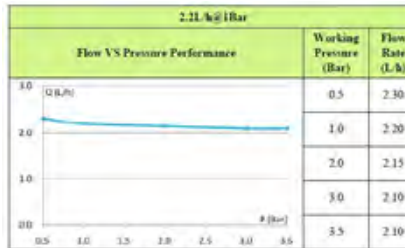
# VA100 VA200 PC DRIPLINES



VA100 PC DRIPLINES



VA200 PC DRIPLINE



## VA100 PC FEATURES

- 16 MM 0.8 & 1.0mm Wall Thickness
- Flow: 1.6 & 2.0 LPH
- Spacing: 20,30,40 & 50 cm
- Operating Pressure 0.5-3.0 Bar
- Filtration: 120 Mesh
- Pressure Compensating
- Anti-Siphon suitable for SDI
- Black & Brown
- Roll Length : 500 M

## VA200 PC FEATURES

- 16 MM 1.0mm & 0.8mm Wall Thickness
- Flow: 2.2 LPH
- Spacing: 30,40, 50 & 100 cm
- Operating Pressure 0.5-3.0 Bar
- Filtration: 120 Mesh
- Pressure Compensating
- Anti-Siphon suitable for SDI
- Black & Brown
- Roll Length : 500 M



## WARRANTY

2 Years



# ZN PC PCND DRIPLINES

## FEATURES

Wide pressure compensation range. Pressure compensated (PC): Precise and equal amounts of water are delivered over a broad pressure range .

Manufactured from the finest raw materials that provide durability and long lasting performance.

Wide and accurate water passages along the labyrinth. Special labyrinth design that ensures strong turbulence flow of the water.

Self-flushing mechanism ensures non-clogging uninterrupted dripper operation.

High UV resistant. Resistant to standard nutrients used in agricultural.

Injected dripper, very low CV , High clog-resistance .

### Technical Data

Dripper flow rates: 2 L/h 4 L/h

Dripline diameters: 16 mm

Dripline wall thickness 0.9 mm – 1.20 mm Pressure range: 1 Bar – 4 Bar

### Non-Drain

Opening pressure: 0.4 Bar – 0.5 Bar

Closing pressure: 0.2 Bar – 0.3 Bar

### Drain (D), Non-Drain (ND), and Anti-Siphon (AS) options

Eliminates drainage and refill effect, and improves efficiency in pulse irrigation Non-drain system:

The dripline remains full of water during irrigation intervals, ensuring immediate and uniform irrigation along dripline



**ZN PC**

2 4



**ZN PCND  
NO DRAIN**

2 4

## WARRANTY

**2 Years**



# ZI PC PCND DRIPPER



ZI-2 ZI-4 ZI-8 ZI-24  
ZIND-2 ZIND-4 ZIND-8 ZIND-24

## FEATURES

Pressure compensated: Precise and equal amounts of water are delivered over a broad pressure range. 100% uniformity of water and nutrient distribution along the laterals.

Continuously self flushing: Continuously flushing debris, throughout operation, not just at the beginning or end of a cycle, ensuring uninterrupted dripper operation.

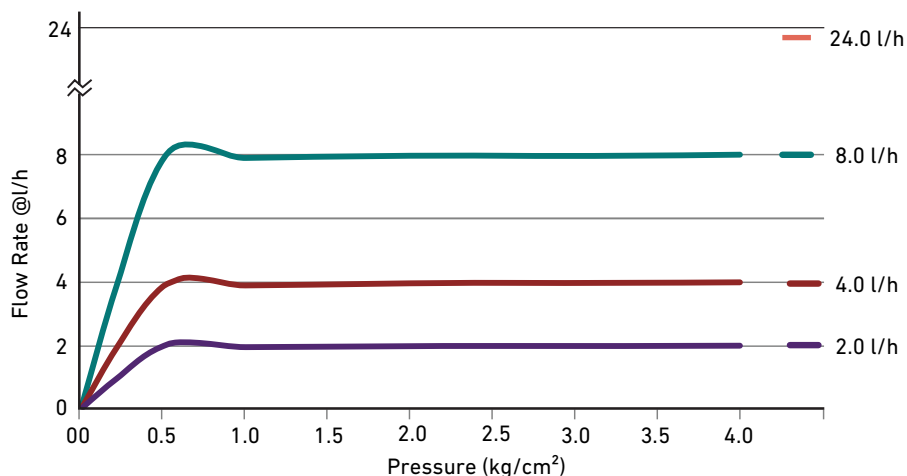
ND No Drain option

Dripper can be positioned exactly where required.

Recommended filtration: 130 micron / 120 mesh. Suitable for thick-walled pipes (0.90, 1.00, 1.20 mm)

Non-Drain Opening pressure: 0.5 Bar – 0.6 Bar Closing pressure: 0.3 Bar – 0.4 Bar .

High UV resistant. Resistant to standard nutrients used in agricultural.



FLOW RATE (L/H)	WORKING PRESSURE RANGE (BAR)
2.0	0.8– 4.0
4.0	0.8– 4.0
8.0	0.8– 4.0
24.0	0.8– 4.0

**WARRANTY**  
**2 Years**

# ZC PC PCND DRIPPER

## FEATURES

Pressure compensated: Precise and equal amounts of water are delivered over a broad pressure range.  
 100% uniformity of water and nutrient distribution along the laterals.

Continuously self flushing: Continuously flushing debris, throughout operation, not just at the beginning or end of a cycle, ensuring uninterrupted dripper operation.

ND No Drain option

Dripper can be positioned exactly where required.

Recommended filtration: 130 micron / 120 mesh.  
 Suitable for thick-walled pipes (0.90, 1.00, 1.20 mm)

High UV resistant. Resistant to standard nutrients used in agricultural.



**ZC**  
2 3 4 8 16

**ZC ND**  
**NO DRAIN**  
2 3 4 8 16

	Item No.	Product Description
	ZC2	Pressure Compensating Dripper , Blue Color, 2L/h@0.7-5.0bar
	ZC3	Pressure Compensating Dripper , Gray Color, 3L/h@0.7-5.0bar
	ZC4	Pressure Compensating Dripper , Black Color, 4L/h@0.7-5.0bar
	ZC8	Pressure Compensating Dripper , Brown Color, 8L/h@0.7-5.0bar
	ZC16	Pressure Compensating Dripper , Red Color, 16L/h@0.7-5.0bar
	ZCND2	No-Drain Pressure Compensating Dripper , Blue Color, 2L/h@0.7-5.0bar
	ZCND3	No-Drain Pressure Compensating Dripper , Blue Color, 3L/h@0.7-5.0bar
	ZCND4	No-Drain Pressure Compensating Dripper , Black Color, 4L/h@0.7-5.0bar
	ZNND8	No-Drain Pressure Compensating Dripper , Brown Color, 8L/h@0.7-5.0bar
	ZCNC16	No-Drain Pressure Compensating Dripper , Red Color, 16L/h@0.7-5.0bar

**WARRANTY**  
2 Years

# ZJ PC PCND DRIPPER

NO DRAIN



**PCB**  
2 4 8



**PCNDB**  
2 4 8



**PCN**  
2 4 8



**PCNDN**  
2 4 8

FLOW RATE (L/H)	WORKING PRESSURE RANGE (BAR)
2.0	0.5 – 4.0
4.0	0.5 – 4.0
8.0	0.5 – 4.0

## FEATURES

Compact Pressure compensated: Precise and equal amounts of water are delivered over a broad pressure range.

100% uniformity of water and nutrient distribution along the laterals.

Continuously self flushing: Continuously flushing debris, throughout operation, not just at the beginning or end of a cycle, ensuring uninterrupted dripper operation.

Dripper can be positioned exactly where required.

Recommended filtration: 130 micron / 120 mesh.

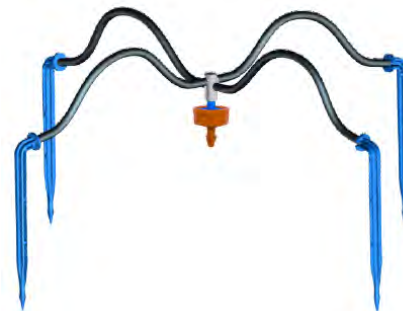
Suitable for thick-walled pipes (0.90, 1.00, 1.20 mm)

High UV resistant. Resistant to standard nutrients used in agricultural.

B - Barbed Option

N- Nipple Option

ND-No Drain Option



**5/3 MICRO-TUBE**



**DRIP STAKE 100°**



**SUPPORT STAKE 45°**



**FOUR WAY MANIFOLD**



**TWO WAY MANIFOLD**



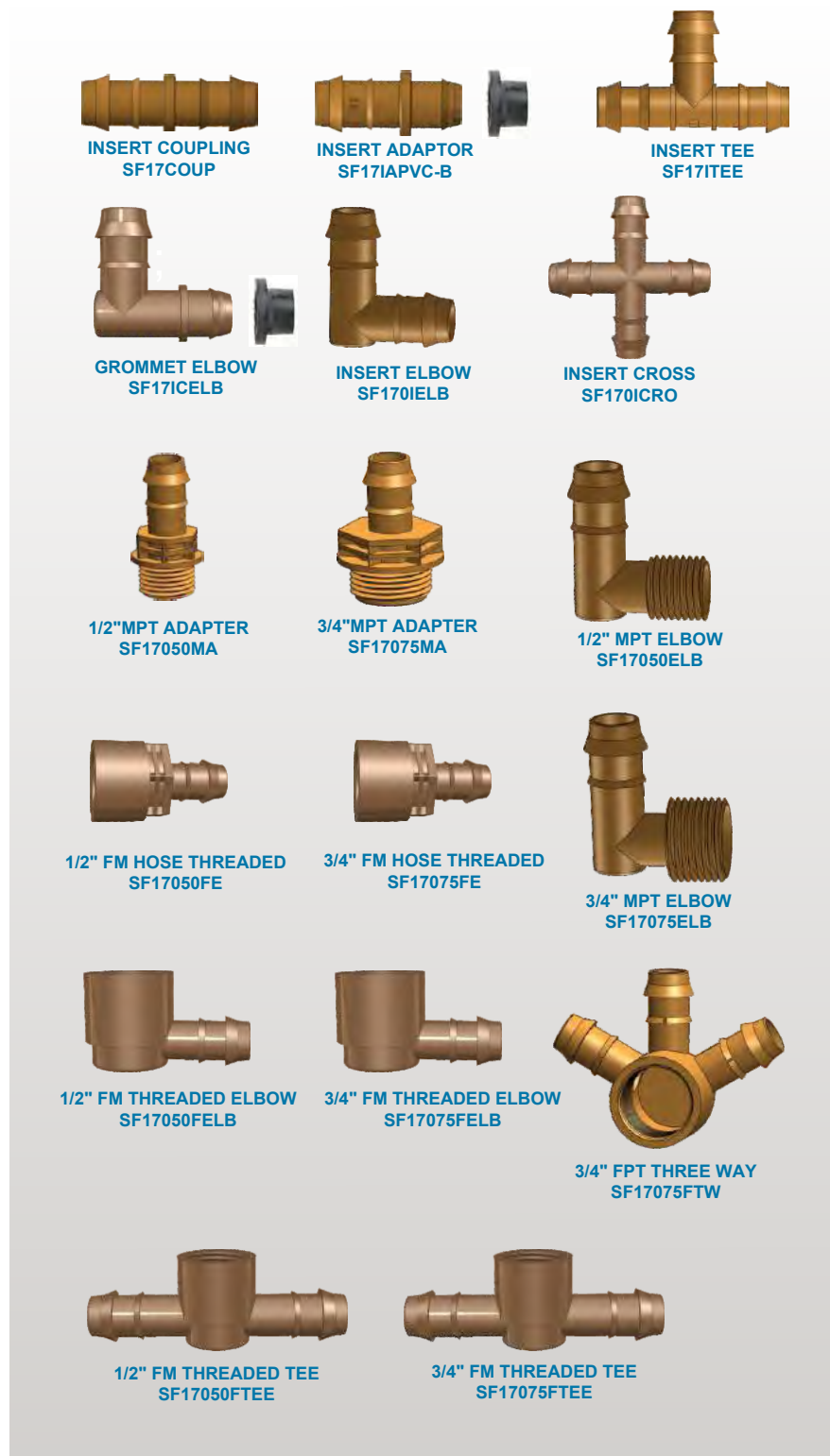
# DRIPLINE FITTING

## 17MM FITTINGS FEATURES

- Easy insertion without need for clamps
- Multiple barbs prevents blow out
- Hard Thermoplastic for sharper barbs
- Operating Pressure Max 50PSI 3.4 Bar
- Compatible with all brands



**WARRANTY**  
2 Years



# BQCV QUICK COUPLING VALVE



**BRASS QCV BODY**  
2125B-2



**BRASS QCV KEY**  
2125B-1



**BRASS QCV ELBOW**  
2125B-3

**FEATURES**

QCV is constructed of solid Red Brass for superior long-term durability that provides reliable and consistent performance in high pressure situations and is a one piece quick coupling valve,

All quick coupling valves provide convenient manual connection for swivel hose elbows and above-ground impact sprinklers

Quick coupling valves have a thermoplastic locking cover. Choice of easy to locate yellow cover or purple non-potable water identification cover. Industrial grade red brass valve body.

Available Sizes:

3/4" to 1 1/2"

Keys for locking cover are ordered separately



# PQCV QUICK COUPLING VALVE



**PLASTIC QCV BODY**  
2125F



**PLASTIC QCV KEY**  
2125F

**FEATURES**

QCV is constructed of High strength plastic for superior long-term durability that provides reliable and consistent performance in high pressure situations and is a one piece quick coupling valve,

All quick coupling valves provide convenient manual connection for swivel hose elbows and above-ground impact sprinklers

Available Sizes:

3/4" to 1 1/2" Female and Male

**WARRANTY**

**2 Years**

# SJ SWING JOINTS

**FEATURES**

Heavy-duty plastic

Standard configuration has swivel ells on both ends for maximum versatility

Retrofit version has a 21 mm hex nut for easy threading into horizontally oriented fittings

Unique swivel ells can be installed to virtually any configuration, leak free

Pressure rated to 10 bar;

**FEATURES**

Heavy-duty prefabricated PVC swing joints with O-ring seals

Available in all popular inlet and outlet configurations

20, 30 or 46 cm lay arm lengths

Single Top-Out or Triple Top-Out designs

Pressure rated to 16 bar;



**SJ1 SJ2 SJ3 SJ4  
SJ5 SJ6 SJ7**

**SJ8 SJ9 SJ10**

<b>SJ-01 2E</b>	1/2"Male x 1/2"Male
<b>SJ-02 2E</b>	3/4"Male x 3/4"Male
<b>SJ-03 3E</b>	1/2"Male x 1/2"Male
<b>SJ-04 3E</b>	3/4"Male x 3/4"Male
<b>SJ-05 4E</b>	1/2"Male x 1/2"Male
<b>SJ-06 4E</b>	3/4"Male x 3/4"Male
<b>SJ-07 3E</b>	1"Male x 1"Male

<b>SJ-08 3E</b>	1"Male x 1"Male
<b>SJ-09 3E</b>	1 1/4"Male x 1 1/4"Male
<b>SJ-10 4E</b>	1 1/2"Male x 1 1/2"Male



**WARRANTY**  
2 Years

# ZV-VALVE BOX SERIES



ZV-708



ZV-910



ZV-910-B

## ZV-708 FEATURES

6" round body is tapered

minimum wall thickness of 0.200"

The body has a double wall at the top cover seat area with a minimum thickness of 0.130".

The bottom of the body has a 0.250" flange. The 6" round cover has an average thickness of 0.187".

## ZV-910 FEATURES

10" round body is tapered

minimum wall thickness of 0.250"

The cover seat area has 8 structural support ribs on the underside of the seat, each with a minimum thickness of 0.250".

The bottom of the body has a 0.500" flange.

The 10" round cover has an average thickness of 0.300". The valve box has a 3/8" 304 Brass nut for the bolt-down as a standard feature.

## ZV-910-B FEATURES

10" round body is tapered

minimum wall thickness of 0.250"

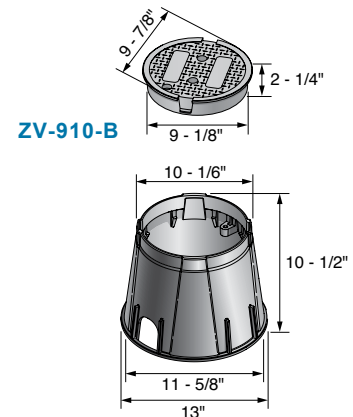
The cover seat area has 8 structural support ribs on the underside of the seat, each with a minimum thickness of 0.250".

The bottom of the body has a 0.500" flange.

The 10" round cover has an average thickness of 0.300". The valve box has a 3/8" 304 Brass nut for the bolt-down as a standard feature.



ZV-708



ZV-910-B

## WARRANTY

2 Years



# ZV-VALVE BOX SERIES

## ZV-1419/B FEATURES

ZV-1419 body is tapered

Minimum wall thickness of 0.187"

Body has a double wall at the top cover seat area with a minimum thickness of 0.200".

Cover seat area has 18 structural support ribs on the underside of the seat, each with a minimum thickness of 0.200".

Bottom of the body has a 0.500" flange. The 14" x 19" cover has an average thickness of 0.200".

The valve box has a 3/8" 304 Brass nut for the bolt-down as a standard feature.



**ZV-1419**

## ZV-1320 FEATURES

ZV-1320 body is tapered

Minimum wall thickness of 0.250"

Body has a double wall at the top cover seat area with a minimum thickness of 0.250"

Cover seat area has 22 structural support ribs on the underside of the seat, each with a minimum thickness of 0.130".

Bottom of the body has a 0.500" flange. The 13" x 20" cover has an average thickness of 0.250".

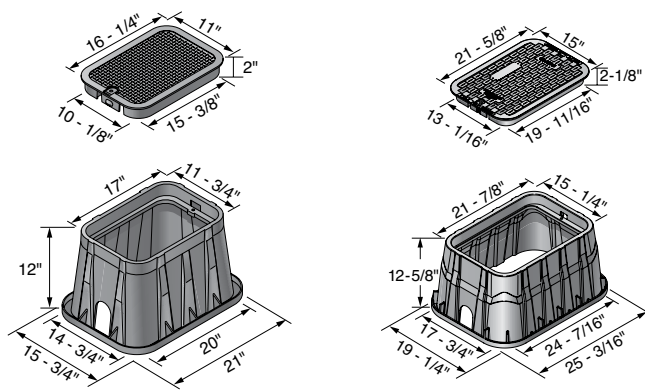
The valve box has a 3/8" 304 Brass nut for the bolt-down as a standard feature.



**ZV-1419-B**



**ZV-1320**



**ZV-1419-B**

**ZV-1320**

## WARRANTY

**2 Years**

# STATEMENT OF TRADE WARRANTY

## The Irrigation Professionals Protection Package from VALTICINO

### **2 Years ALL Products**

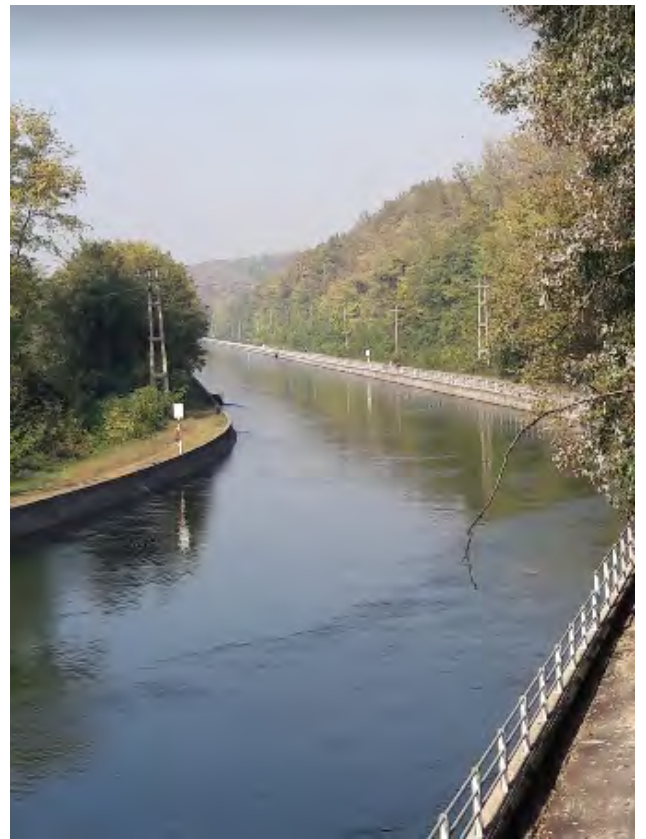
All trade warranties are effective from the original date of manufacture. The trade warranties extend only to the original professional installer of the VALTICINO products and do not extend to repairs, replacements or adjustments of VALTICINO products due to misuse, negligence, alteration, modification, tampering or improper installation and maintenance of the product and/or system. Contact your local VALTICINO authorized distributor for all warranty claims. VALTICINO obligation is to repair or replace its products found to have defects in material or workmanship. There are no other warranties, expressed or implied, including warranties of merchantability and fitness for a particular purpose. VALTICINO will not be liable to any party in strict liability, tort, contract or any other manner for damages caused or claimed to be caused as a result of any design or defect in VALTICINO's products, or any special incidental or consequential damages of any nature.

### **PRODUCT CHANGES**

VALTICINO reserves the right to alter, modify or redesign its products, pricing and warranty at all times without creating any liability for the obsolescence of customer inventory of such parts or products.

### **CERTIFICATION STATEMENT**

VALTICINO certifies that pressure, flow rate and radius data for these products were determined and listed in accordance with ASAE Standard S398.1, Procedure for Testing and Performance Reporting, and are representative of performance of production sprinklers at the time of publication. Actual product performance may differ from the published specifications due to normal manufacturing variations and sample selection.



VALTICINO PONTE DI FERRO







# ***VALTICINO***



ITALY: Via Corizia n.1-21015 LONATE POZZOLO (VA),ITALY

[www.VALTICINO.COM](http://www.VALTICINO.COM)